

Multi - Function Transducer (MFT)



- SANDS MFT-204 is a Multi-channel Multi-function transducer for measuring wide range of analog values in a 3-phase 4-wire asymmetrically loaded system.
- The output interface includes one RS 485 port and four channel 4-20 mA loop.
- Parameter assignment to 4-20 mA loop is field programmable.
- Replaces a number of conventional single function transducers and thus reduces the inventory.

Salient Features

- Measurement of a number of electrical parameters from a single transducer
- Programmable PT and CT ratio
- Supports Modbus RTU protocol
- Isolation between input and output
- DIN Rail mounting standard

Applications

- Interface for SCADA / RTU
- Remote monitoring
- Energy and Demand management
- Process monitoring & control
- Electric utility-Generation, Transmission and Distribution

Technical Specification

Parameters Measured

- Line voltage (v) : 0.5%
- Phase current (I) : 0.5%
- Frequency (Hz) : 0.01
- Active Power (MW) : 1.0%
- Apparent Power (MVA) : 1.0%
- Reactive Power (MVAR) : 1.0%
- Power Factor (PF) : 0.5%

Analogue Output

- 4 Channels of isolated 4-20 mA
- Output programmable to any 4 parameters

Operating Conditions

- Voltage (Nominal) : 110 V (P to P)
- Configuration : 3P, 4W
- Voltage range : 77 V to 132 V (-30% to +20%)
- Nominal Current : 1A/5A
- Current Range : 20 to 120%
- Frequency range : 45 Hz to 55 Hz

Auxiliary

- DC Voltage : 48 V

Pulse Outputs

- 2 for MW and MVAR

Technical Specification

Communication

- RS 485 port

Software

- Enable field configuration of any parameter to any channel
- Program 4-20mA loop to monitor Import / Export of power by setting 12 mA as zero value

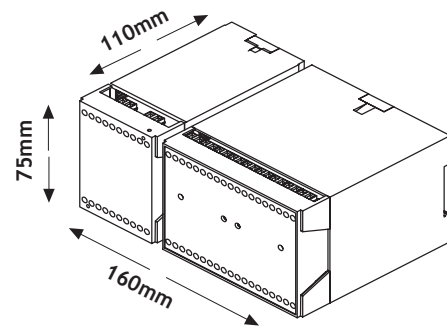
Environmental

- Working temp : 0 to +50 deg c
- Function temp : -5 to +60 deg c
- Storage temp : -10 to +65 deg c
- Relative Humidity : 0 to 95% non condensing

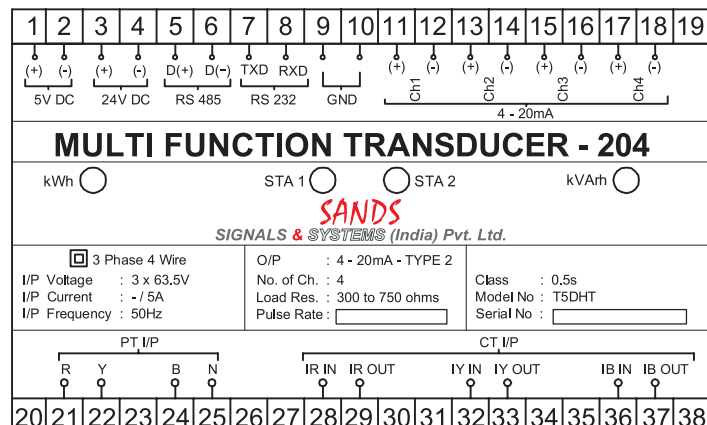
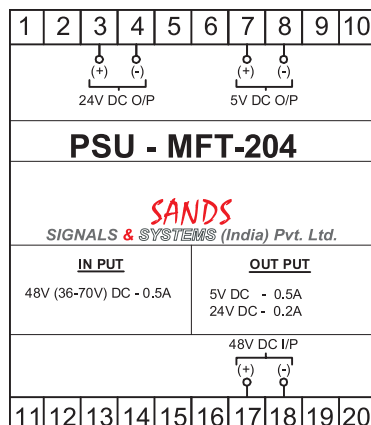
Enclosure

- DIN Rail mountable

Dimensional Drawing



Connections



SIGNALS & SYSTEMS (India) PVT. LTD.

MF-7, CIPET Hostel Road, Thiru.Vi.Ka. Industrial Estate, Ekkaduthangal, Chennai - 600 032.

Tel : (044) 2225 3832 / 33 / 34, Fax: (044) 2225 3831,

E-mail: sands@sandsindia.com.